

PIENAAR ENERGY (PTY) LTD

Wind power s share in the power generation industry



Support photovoltaic input and AC mains input
Suitable for home energy storage and emergency backup power supply



Overview

Based on location, the on-shore segment led the market with the largest revenue share of 75.52% in. Measured as a percentage of total electricity produced in the country or region. Ember (2026); Energy Institute - Statistical Review of World Energy (2025) - with major processing by Our World in Data. This dataset contains yearly electricity generation, capacity, emissions, imports and demand data. In our latest Short-Term Energy Outlook, we forecast that wind and solar energy will lead growth in U.S. solar power generation will grow 75% from 163 billion kilowatthours. The Wind Power Market Report is Segmented by Location (Onshore and Offshore), Turbine Capacity (Up To 3 MW, 3 To 6 MW, and Above 6 MW), Application (Utility-Scale, Commercial and Industrial, and Community Projects), and Geography (North America, Europe, Asia-Pacific, South America, and Middle East). The global wind power generation market size was valued at US\$ 127.3 billion in 2022 and is projected to reach US\$ 247.

Wind power s share in the power generation industry



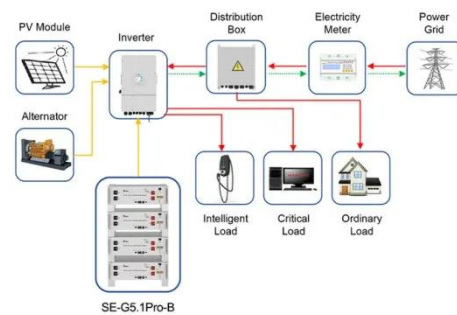
Global Statistics

Share of wind power in electricity generation and consumption. The world's installed wind power capacity now meets well over 10% of global electricity demand - and much more than nuclear ...

[Get Price](#)

Wind Power Market Size And Share , Industry Report, 2030

Based on application, the utility segment led the market with the largest revenue share of 83.5% in 2024. Solar and wind power generation, which were considered expensive two decades ago, are now ...



Application scenarios of energy storage battery products

[Get Price](#)



Wind Power Market Size, Share, Trends, Growth Report 2035

North America remains the largest market for wind power, showcasing a strong commitment to renewable energy. The Asia-Pacific region is recognized as the fastest-growing market, propelled by ...

[Get Price](#)

Wind Power Generation Market Size, Share, Growth by 2030

Countries such as China, India, and Japan are the dominating countries holding a large portion of the wind power generation market share, which is expected to increase in the coming years.

[Get Price](#)



Wind Market Reports: 2024 Edition , Department of Energy

The U.S. Department of Energy's annual offshore, land-based, and distributed wind market reports, released in August 2024, show that the passage of the Inflation Reduction Act (IRA) led to significant ...

[Get Price](#)

Share of electricity production from wind, 2025

This dataset contains yearly electricity generation, capacity, emissions, import and demand data for over 200 geographies. You can find more about Ember's methodology in this ...

[Get Price](#)



Wind Power Market Size, Trends & Share Report 2026-2031



By turbine capacity, units above 6 MW captured the fastest 17.28% CAGR between 2026 and 2031, whereas the 3-6 MW class held 46.05% of the wind power market size in 2025.

[Get Price](#)

Solar and wind to lead growth of U.S. power generation for the next ...

In our latest Short-Term Energy Outlook, we forecast that wind and solar energy will lead growth in U.S. power generation for the next two years. As a result of new solar projects coming on ...

[Get Price](#)



U.S. Wind Power Market Size, and Growth Report, 2032

Driven by the provisions of the Inflation Reduction Act (IRA), wind power accounts for 10% of the country's power generation, with DoE targeting a 20% share by 2030. As per an October 2024 article ...

[Get Price](#)

Global wind power market

Find up-to-date statistics and facts on the global wind power market.

[Get Price](#)



Contact Us

For catalog requests, pricing, or partnerships, please visit:
<https://pienaarshof.co.za>

