

PIENAAR ENERGY (PTY) LTD

What are the methods for assembling photovoltaic brackets



Overview

Measure and plan the layout of the photovoltaic array. Gather tools like drills, screwdrivers, levels, and tape measures. Install columns vertically using a level and secure them to the foundation. To ensure the smooth installation of photovoltaic system brackets and meet design requirements, Guidance Method For The Installation Of PV System Brackets are provided, including ground-mounted, rooftop, adjustable tilt angle, floating, Building-Integrated Photovoltaics (BIPV), bifacial, and. The photovoltaic bracket is a bracket designed for placing, installing and fixing solar panels in a solar photovoltaic power generation system. Determine the optimal location for panel installation based on sun exposure; 3. Securely mount the brackets onto the chosen surface, ensuring. The installation selection of photovoltaic ground brackets is mainly based on factors such as the fixing method of the bracket, terrain requirements, material selection, and the weather resistance, strength, and stiffness of the bracket.

What are the methods for assembling photovoltaic brackets



Solar Panel Mounting Brackets: A Complete Guide (2025)

Good solar panel brackets improve system lifetime and boost its power generation performance. Poor hanging methods include putting solar panels in the wrong position and creating ...

[Get Price](#)

Photovoltaic ground bracket installation options

The installation selection of photovoltaic ground brackets is mainly based on factors such as the fixing method of the bracket, terrain requirements, material selection, and the weather resistance, strength, ...



[Get Price](#)



How to install solar photovoltaic panel bracket , NenPower

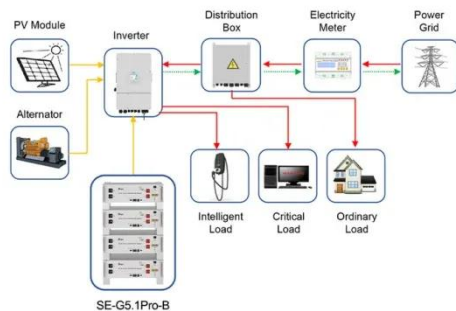
To install a solar photovoltaic panel bracket, follow these core steps: 1. Gather necessary tools and materials, including brackets, screws, and a wrench; 2. De...

[Get Price](#)

How to Build Your Own Photovoltaic Panel Bracket: A Cost-Effective ...

Summary: Discover step-by-step methods to create custom solar panel brackets for residential or commercial installations. Learn material selection tips, design best practices, and cost-saving ...

[Get Price](#)



Application scenarios of energy storage battery products

Photovoltaic Module Bracket Installation: A Step-by-Step Guide for

Let's cut through the noise - proper solar mounting systems aren't just "metal parts," they're the backbone of your energy harvest. In this guide, we'll unpack the photovoltaic module bracket ...

[Get Price](#)

Photovoltaic Panel Brackets: Essential Guide for Solar Installations

From material selection to installation precision, photovoltaic panel brackets play a crucial role in solar system performance. By understanding technical requirements and market trends, you can make ...

[Get Price](#)



Different types of roof



photovoltaic bracket installation methods

Common materials include aluminum alloy, carbon steel and stainless steel. In the specific installation process, it is necessary to choose the appropriate installation method according to ...

[Get Price](#)

Guidance Method For The Installation Of PV System Brackets

By following these detailed guidelines, photovoltaic projects can ensure the successful installation and long-term performance of various types of photovoltaic system brackets.

[Get Price](#)



PV Panel Mounting Brackets: A Complete Guide for ...

Here's a guide that will help you know everything essential about the PV panel mounting brackets or solar panel brackets- necessities.

[Get Price](#)



How to Install Solar Panel Brackets and Photovoltaic Panels: A Step ...

Installing solar panel brackets and

photovoltaic (PV) modules requires technical precision and safety awareness. This guide walks you through the entire process - from site preparation to system ...

[Get Price](#)



Contact Us

For catalog requests, pricing, or partnerships, please visit:
<https://pienaarshof.co.za>

