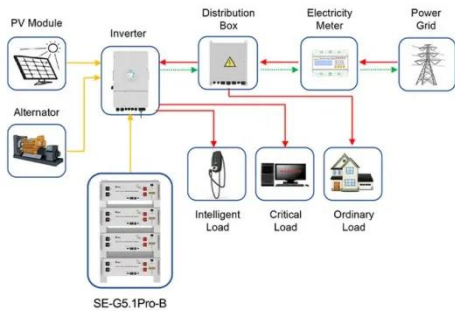


PIENAAR ENERGY (PTY) LTD

What are the energy storage power sources in mumbai india



What are the energy storage power sources in mumbai india



Application scenarios of energy storage battery products

Understanding the Different Types of Energy Storage Systems in India

India's power sector is undergoing an unprecedented transition. Solar farms line the deserts of Rajasthan, onshore wind turbines sweep across Tamil Nadu, and rooftop panels glitter ...

[Get Price](#)

Energy Storage System

Energy Storage System Roadmap for India 2019-32 Energy Storage System (ESS) is fast emerging as an essential part of the evolving clean energy systems of the 21st century. Energy ...

[Get Price](#)



Mumbai 2024 Energy Storage Inventory: Trends, Solutions

Summary: Mumbai's energy storage sector is rapidly evolving to meet rising demand for sustainable power. This guide explores current inventory trends, key technologies, and actionable insights for ...

[Get Price](#)

Outdoor Energy Storage Solutions in Mumbai: Powering India's ...

Summary: Mumbai's growing demand for reliable power solutions is driving innovation in outdoor energy storage systems. This article explores cutting-edge technologies, market trends, and real-world ...



[Get Price](#)



Tata Power to Install 100MW Battery Energy Storage System (BESS) in Mumbai

The system will have high round-trip efficiency with reduced auxiliary consumption, thereby enhancing operational performance and extending the storage system's lifespan to support Mumbai's ...

[Get Price](#)

Tata Power to install 100 MW battery energy storage system in Mumbai

Tata Power will install a 100 MW battery energy storage system to facilitate peak load management in Mumbai's power network. It will implement the system across ten strategically ...

[Get Price](#)



STRATEGIC PATHWAYS FOR ENERGY STORAGE IN INDIA ...



I commend the India Energy and Climate Centre and the Power Foundation of India for this thoughtful, timely contribution. Their work aligns seamlessly with our national goals and equips ...

[Get Price](#)

Tata Power BESS to support critical infrastructure ...

Tata Power has received regulatory approval to deploy a centrally controlled battery storage system in Mumbai, India.

[Get Price](#)



Tata Power Announces 100MW Battery Energy Storage Project for Mumbai

Chandigarh, 9th April, 2025: Tata Power, India's largest integrated power company and a trusted electricity provider to approx. 8 lakh residential and commercial consumers, has received approval ...

[Get Price](#)

Tata Power gains approval to install 100MW BESS in Mumbai, India

Tata Power has received approval from the Maharashtra Electricity Regulatory Commission (MERC) to implement a 100MW battery energy storage system (BESS) in Mumbai, ...

[Get Price](#)



Contact Us

For catalog requests, pricing, or partnerships, please visit:
<https://pienaarshof.co.za>

