

PIENAAR ENERGY (PTY) LTD

Solar light power generation panel radiation



Overview

Solar panels generate electricity by converting sunlight through the photovoltaic effect. While they do not produce significant electromagnetic radiation on their own—like any object exposed to the sun—they emit thermal radiation in the form of heat and reflected light. EMF radiation comes in two main types: ionizing and non-ionizing. These waves include radio waves, microwaves, infrared, visible light, ultraviolet rays, X-rays, gamma rays, and more, spanning a wide range of frequencies from low to high. In our. A photovoltaic (PV) cell, commonly called a solar cell, is a nonmechanical device that converts sunlight directly into electricity. Coeditor of Semiconductor Defect Engineering: Materials, Synthetic Structures and Devices II.

Solar light power generation panel radiation



Photovoltaics and electricity

Some PV cells can convert artificial light into electricity. Sunlight is composed of photons, or particles of solar energy. These photons contain varying amounts of energy that correspond to the ...

[Get Price](#)

How do solar panels radiate light? , NenPower

While light intensity is diminished on cloudy days, solar panels still absorb indirect sunlight and convert it into energy. Solar cells are designed to capture a wide spectrum of light, including ...



[Get Price](#)



Do Solar Panels Emit Radiation? EMF Facts & Safety Guide

Solar panels don't emit the dangerous ionizing radiation that causes cancer. Instead, they create weak electromagnetic fields similar to standard household electronics.

[Get Price](#)

Do solar panels emit harmful radiation for living beings?

Do solar panels emit harmful radiation for living beings? Let's explore solar power generation, its potential radiation levels, and its compatibility with agriculture and the environment.

[Get Price](#)



How Does Solar Work?

Learn the basics of solar energy technology including solar radiation, photovoltaics (PV), concentrating solar-thermal power (CSP), grid integration, and soft costs.

[Get Price](#)

Optimizing energy production in PV systems

Since only the incident solar radiation perpendicular to the PV panel intervenes in the electric power generation, it required knowing the angles formed between the solar vector and the ...

[Get Price](#)



Solar Irradiance Calculation Guide

Learn how to calculate solar irradiance step-by-step for smarter, more efficient solar system designs!

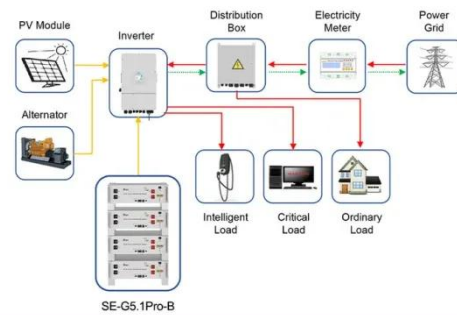
[Get Price](#)



A Comprehensive Analysis of Whether Photovoltaic Systems Emit Radiation

This article provides a thorough analysis of electromagnetic radiation in photovoltaic systems, addressing health concerns. It compares the radiation levels of PV systems with household ...

[Get Price](#)



Application scenarios of energy storage battery products



Solar PV Energy Factsheet

Solar energy can be harnessed two primary ways: photovoltaics (PVs) are semiconductors that generate electricity directly from sunlight, while solar thermal technologies use sunlight to heat water for ...

[Get Price](#)

Solar energy , Definition, Uses, Examples, Advantages, & Facts

Solar energy is radiation from the Sun that is capable of producing heat,

causing chemical reactions, or generating electricity. The total amount of solar energy incident on Earth is ...

[Get Price](#)



Contact Us

For catalog requests, pricing, or partnerships, please visit:
<https://pienaarshof.co.za>

