

PIENAAR ENERGY (PTY) LTD

Pristina s proposed energy storage projects



Overview

A photovoltaic energy storage project so efficient it could power 15,000 homes while making traditional power plants blush. 2024 – In the meeting held today, the Government of the Republic of Kosovo has approved the proposal of the Ministry of Economy (ME) for the establishment of Central Publicly Owned Enterprise Energy Storage Corporation (ESC) J. (Korporata e Ruajtjes së Energjisë (KRE)“ Sh. The realization of two huge solar district heating projects in the Balkans is progressing. The pre-qualification tender for a 44 MW collector field with seasonal storage in Pristina, Kosovo, ended on 11 April 2025. As solar panels become the "rock stars" of renewable energy, this €85. The Pristina Virtual Power Plant Energy Storage Project aims to achieve exactly that by integrating renewable energy sources with cutting-edge storage solutions. Did you know Pristina"s energy demand has grown 18% since 2020?

As. ed in early 2022.

Pristina s proposed energy storage projects



44 MW in Kosovo, 27 MW in Serbia: solar district heating projects gain

The realization of two huge solar district heating projects in the Balkans is progressing. The pre-qualification tender for a 44 MW collector field with seasonal storage in Pristina, Kosovo, ended on 11 ...

[Get Price](#)

Government approves the establishment of the Central Publicly ...

The new publicly owned enterprise "Energy Storage Corporation (ESC)" will operate as a joint-stock company with the Republic of Kosovo as its sole shareholder, and during the 5-year ...



[Get Price](#)



PRISTINA ENERGY STORAGE POLICY

With the explosive growth of energy storage devices, commonly used lithium-ion batteries can hardly match the increased demands of energy-density, lithium-sulfur batteries have been regarded as such ...

[Get Price](#)

Pristina Virtual Power Plant Energy Storage Project: A Game ...

Imagine a power grid that operates like a symphony - seamlessly balancing supply and demand. The Pristina Virtual Power Plant Energy Storage Project aims to achieve exactly that by integrating ...



[Get Price](#)



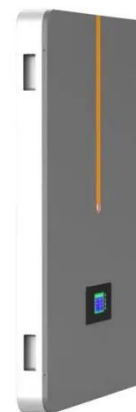
PRISTINA ENERGY STORAGE PROJECT A BLUEPRINT FOR ...

The objective of the project HA-G1048 is to maximize the use of the energy produced by the 8-MWp solar photovoltaic plant (SPP) to further reduce the use of thermal power, by implementing a Battery ...

[Get Price](#)

Pristina Energy Storage Project A Blueprint for Sustainable Energy

Summary: The Pristina Energy Storage Demonstration Project is reshaping how cities integrate renewable energy. This article explores its innovative approach, technical breakthroughs, and why it ...



[Get Price](#)

The Pristina Photovoltaic Energy Storage Project:

Powering a

A photovoltaic energy storage project so efficient it could power 15,000 homes while making traditional power plants blush. That's exactly what Kosovo's Pristina Photovoltaic Energy ...

[Get Price](#)



Energy Storage Companies in Kosovo: Powering a Renewable Future

Kosovo's storage revolution won't happen overnight, but the pieces are falling into place. With the right mix of policy support and tech innovation, this could become Europe's next clean energy success story.

[Get Price](#)



Pristina Energy Storage Battery Manufacturing Plant: Powering

Summary: Explore how the Pristina energy storage battery manufacturing plant addresses global energy demands through cutting-edge technology. Learn about its applications across industries, market ...

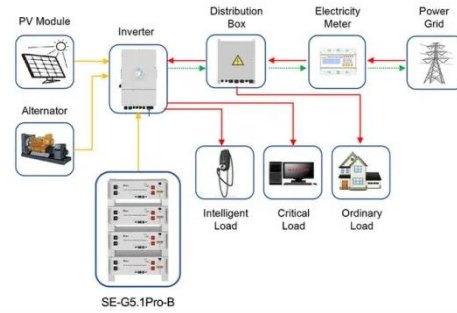
[Get Price](#)

New Energy Storage in Pristina

Growth Trends and Future Prospects

But here's the good news: The Energy Storage Association of Kosovo reports 47 new projects in the pipeline. By 2025, Pristina could triple its storage capacity.

[Get Price](#)



Application scenarios of energy storage battery products

Contact Us

For catalog requests, pricing, or partnerships, please visit:
<https://pienaarshof.co.za>

