

PIENAAR ENERGY (PTY) LTD

Is solar power generation really cost-effective



Is solar power generation really cost-effective

LiFePO₄ Battery, safety

Wide temperature: -20~55°C

Modular design, easy to expand

The heating function is optional

Intelligent BMS

Cycle Life: > 6000

Warranty: 10 years



Solar Energy Is Now the World's Cheapest Source Of Power

Solar energy is now so cost-effective that, in the sunniest countries, it costs as little as £0.02 to produce one unit of power, making it cheaper than electricity generated from coal, gas or ...

[Get Price](#)

Solar Shame: The True Cost of Solar Power , RealClearEnergy

But solar electricity costs about seven times more than its most direct competitor, electricity generated using natural gas. State and federal subsidies reduce the cost of solar to two ...



[Get Price](#)

114KWh ESS



ISO 9001 ISO 14001 PICC RoHS CE MSDS UN38.3 UK CA IEC

Solar and Wind's Hidden Price Tag: Why Cost Isn't the Whole Story

Solar and wind power have become increasingly cost-competitive over the past decade, prompting claims that they are now the cheapest sources of new electricity. Federal and state ...

[Get Price](#)

Is Renewable Energy Cheaper? 2025 Cost Analysis & Data

Discover why 81% of renewables now cost less than fossil fuels. Complete 2025 analysis with latest data, cost comparisons, and savings projections.

[Get Price](#)



ESS



New data reveals the startling cost of solar panels compared to

With current federal subsidies still in place, solar can be as low as \$0.02 per kWh and wind \$0.015 per kWh, making them much cheaper than even the most efficient existing power plants ...

[Get Price](#)

Wind and Solar Energy Are Cheaper Than ...

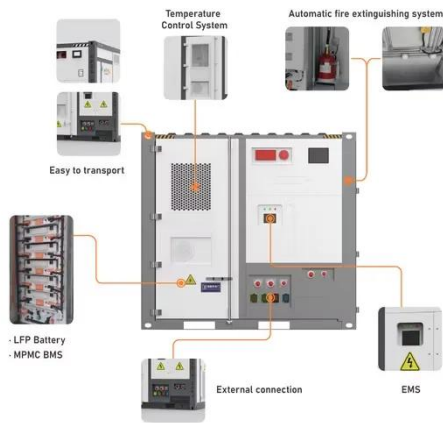
This year's report concludes that renewables are the "most cost-competitive form of generation," even without subsidies.

[Get Price](#)



Wind and Solar Energy Are Cheaper Than Electricity from Fossil-Fuel

This year's report concludes that



renewables are the "most cost-competitive form of generation," even without subsidies.

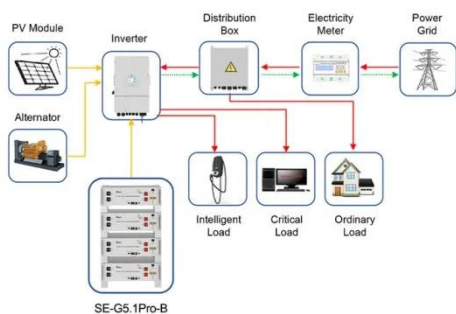
[Get Price](#)

91% of New Renewable Projects Now Cheaper Than Fossil Fuels ...

In 2024, solar photovoltaics (PV) were, on average, 41% cheaper than the lowest-cost fossil fuel alternatives, while onshore wind projects were 53% cheaper. Onshore wind remained the ...



[Get Price](#)



Application scenarios of energy storage battery products

Solar cost of electricity beats lowest-cost fossil fuel - even without

Lazard's analysis makes it clear, however, that even without tax credits, solar and wind are more cost-effective than new-build gas and coal, making them a more sensible investment for the ...

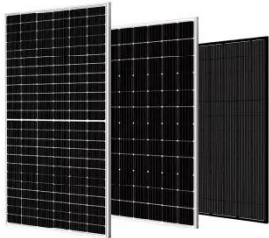
[Get Price](#)

Solar Energy vs Wind Energy: Cost, Efficiency, Applicability,

and

Wind and solar technologies demonstrate remarkable cost-efficiency improvements. A residential solar system now costs as much as a mid-range kitchen remodel [\$2.50 per watt], while ...

[Get Price](#)



The Economics of Solar Power

Due to increased production, government subsidies, and mounting environmental concerns, the direct costs of solar and wind energy for consumers have decreased. Some markets ...

[Get Price](#)

Contact Us

For catalog requests, pricing, or partnerships, please visit:
<https://pienaarshof.co.za>

