

**PIENAAR ENERGY (PTY) LTD**

# **Is it okay to install photovoltaic panels in an M-shaped water tank**



## Overview

---

With the introduction of MCS012 in March 2012 we would now expect all MCS certified installers of solar PV systems to install solar PV systems on pitched roofs using only MCS012 certified roof fixings. This makes in-roof panels a particularly good fit for older homes whose roofs may struggle to. Here are some common myths and misconceptions: Myth #1: Solar only works when the sun is shining. I still need power when it's raining. Actually, solar technology can be leveraged in virtually any condition, including rainy and snowy days, because some sunlight still reaches the earth. Solar panels. Solar PV now has a solid footing in the residential market, and the building codes have caught up—here's what you need to know. Before choosing a new system, you should know what options work for your roof, the best ways to connect the.

## Is it okay to install photovoltaic panels in an M-shaped water tank

---



### Installing solar panels on different roof types

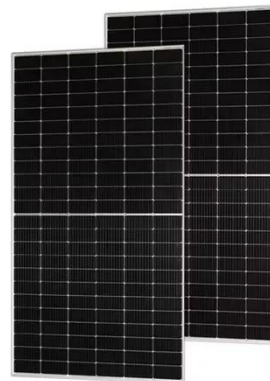
This won't damage your roof - just like asphalt tile or other common roof types, waterproofing sealant prevents any moisture from getting through over the lifetime of your solar panel ...

[Get Price](#)

---

### M-type water tank photovoltaic panel installation

Here's a guide to what you can expect: Check the boiler is compatible with solar water heating - standard boilers usually are, but if there is a combi boiler, a solar hot water cylinder must be added to ...



[Get Price](#)

---



### Complete Solar Panel Installation Guide

Learn the essential steps for solar panel installation, including site assessment, permits, and safety tips for a successful setup.

[Get Price](#)

---

### How to install M-type

## photovoltaic panel water tank

Breaking down the installation process into key steps provides a clear roadmap for those venturing into solar water pump installation. Starting with the site assessment, then moving on to component ...

[Get Price](#)



## Solar Structure: Types & Benefits Explained

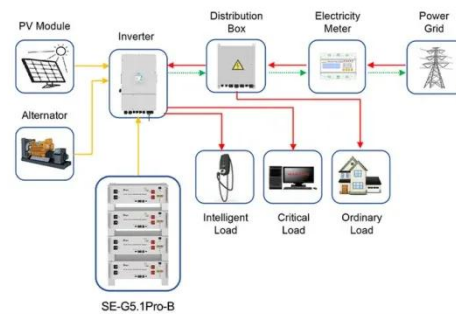
If adequate gaps aren't provided between the modules and metal roof in an installation, then the panels tend to get heated up. This in turn brings down the generation.

[Get Price](#)

## Busted: Common Solar Myths and Misconceptions

The DOE solar office addresses some common myths and misconceptions about solar energy and the installation process.

[Get Price](#)



Application scenarios of energy storage battery products

## Rules for Rooftop Solar

When structural upgrades are required, it's often not due to the weight of the panels--it's because the old and often modified roof can't be proven to support

even the minimum design snow load.  
The ...

[Get Price](#)



---

## Is it okay to install photovoltaic panels in an M-shaped water tank

The ideal place to install solar panels is on a sloping roof, as the panels work best when angled towards the sun. But if you can't do that, there are a few other options available to you: Yes, it's okay to install ...

[Get Price](#)



---

## M-type water tank photovoltaic panel installation tutorial

In this paper, optimal sizing of a photovoltaic (PV) pumping system with a water storage tank (WST) is developed to meet the water demand to minimize the life cycle cost

[Get Price](#)



---

## Rules for Rooftop Solar

When structural upgrades are required, it's often not due to the weight of the ...

[Get Price](#)

## Homeowner's Guide to Solar , Department of Energy

In most cases, yes, you can install solar panels on your home if it is governed by an HOA, though you will likely have to submit a request. Many states and territories have enacted solar access laws, ...

[Get Price](#)

## Contact Us

For catalog requests, pricing, or partnerships, please visit:  
<https://pienaarshof.co.za>

