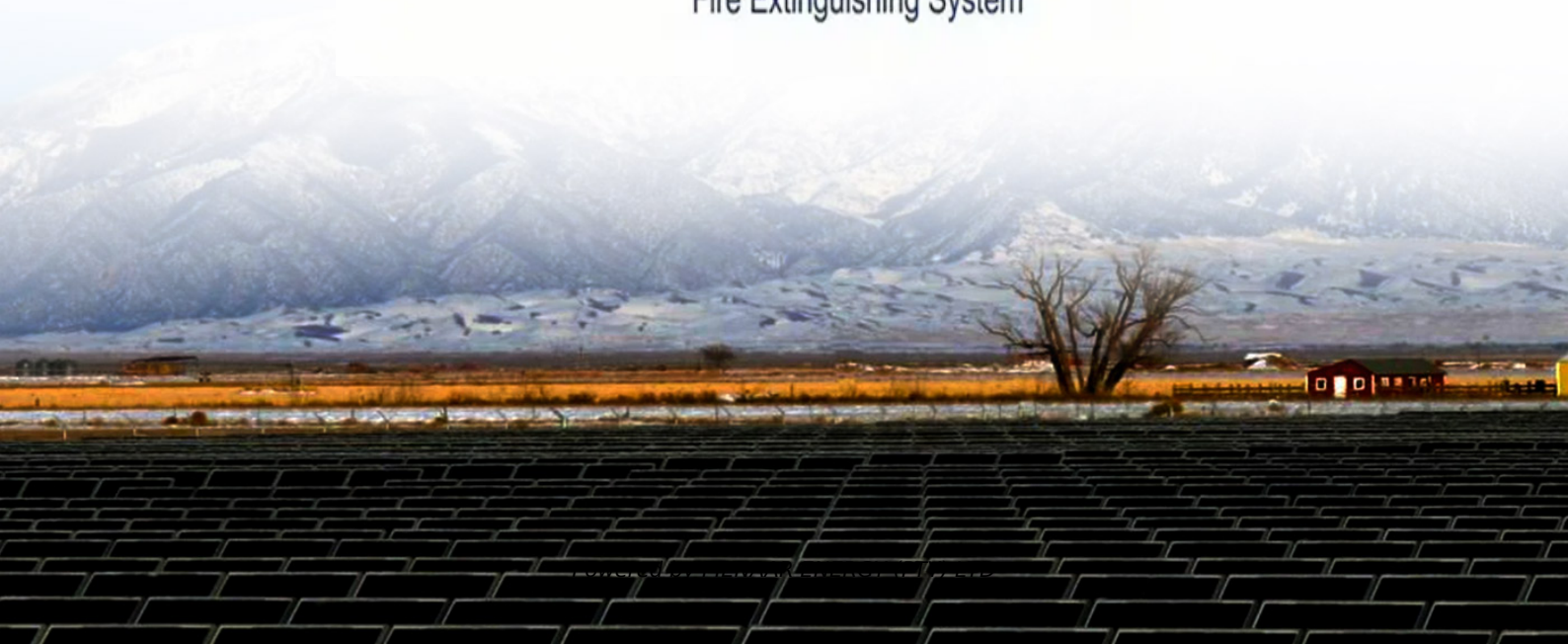


PIENAAR ENERGY (PTY) LTD

How to store more electricity with photovoltaic panels



Overview

Pumped hydro storage utilizes gravity to store and generate electricity, whereby surplus solar energy is used to pump water uphill to a reservoir. During high energy demand periods, the stored water is released to flow downhill through turbines, generating electrical power. Effective energy storage, including battery systems, is essential for maximizing solar power's potential. With the intermittent nature of sunlight, capturing and retaining energy is crucial for practical applications. Battery technology plays a pivotal role in this storage. Solar panels convert sunlight into electricity through photovoltaic cells. Here's how the storage process works: 1.

How to store more electricity with photovoltaic panels



How Do Solar Panels Store Energy: Methods and Benefits

Discover how solar panels store energy, the methods involved, benefits, challenges, and why effective storage is vital for sustainability.

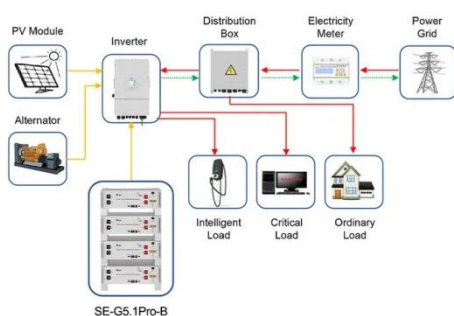
[Get Price](#)

Solar energy storage: everything you need to know

Learn what storing solar energy is, the best way to store it, battery usage in storing energy, and how the latest innovations like California NEM 3.0 affect it.



[Get Price](#)



Application scenarios of energy storage battery products

Solar Storage Methods: 3 Ways To Save More Energy In 2025

Learn how solar storage boosts energy reliability. Compare thermal and battery methods to store sunlight efficiently for day and night use.

[Get Price](#)

How to store electricity from

solar photovoltaic power generation

Incorporating smart systems can automate energy management, such as prioritizing solar energy use over grid energy during peak loads. Additionally, innovative technologies such as ...



[Get Price](#)



How to Store Solar Energy from Solar Panels: Effective Methods and

Storing solar energy efficiently is crucial for maximizing the benefits of your solar panel system. You can store solar energy using battery storage systems that capture excess energy generated during the ...

[Get Price](#)

How To Store Electricity From Solar Panels , Storables

Learn how to store electricity generated by solar panels efficiently. Our articles provide valuable insights and tips for effective energy storage solutions.

[Get Price](#)



How to Store Solar Energy: Your Guide to Energy Storage Solutions



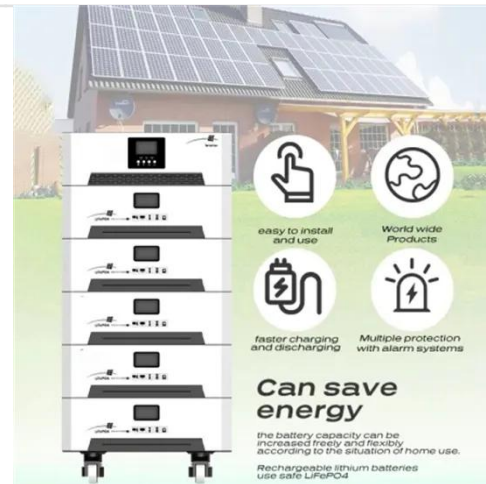
This guide covers key solar energy storage solutions, including costs, installation, benefits, and drawbacks. Use this free resource to determine if on-site batteries are the right option for you and ...

[Get Price](#)

How to Store Energy From Solar Panels: Practical Solutions

Let's dive into the exciting world of solar energy storage! We will explore various storage options and highlight their benefits for homeowners and the environment, such as energy savings ...

[Get Price](#)



Solar Integration: Solar Energy and Storage Basics

Short-term storage that lasts just a few minutes will ensure a solar plant operates smoothly during output fluctuations due to passing clouds, while longer-term storage can help provide supply over days or ...

[Get Price](#)

How to Store Solar Energy from Solar Panels: 2026 Guide



Storing solar energy is key to maximizing your investment and ensuring you have power when you need it most. Imagine having a reliable energy source during outages or at night, all thanks to the sun's ...

[Get Price](#)



Contact Us

For catalog requests, pricing, or partnerships, please visit:
<https://pienaarshof.co.za>

