

## **PIENAAR ENERGY (PTY) LTD**

# **How much does the eu energy storage power supply cost**



## Overview

---

Recent industry analysis reveals that lithium-ion battery storage systems now average €300-400 per kilowatt-hour installed, with projections indicating a further 40% cost reduction by 2030. This dramatic shift transforms the economics of grid-scale energy storage, making it an increasingly viable solution for Europe's renewable. Solar power has carried most of the responsibility for expanding the share of low-cost renewables to approach half of EU electricity generation in 2025, yet annual solar capacity additions declined for the first time in a decade. The prices and costs for energy evolve over time depending on many different factors like the prices of inputs, market. The economics of battery storage systems (BESS) in Europe look much rosier following changes to the European Union's (EU) power pricing structure in October, with several countries offering the potential for BESS profits to rise more than a 15%, according to Rystad Energy analysis. The new EU LFP spot price comes from the ICC Battery price database, where spot price is based on reported quotes from companies, battery cell prices could be even lower if batteries are purchased in high volume. Estimated cell manufacturing cost uses the BNEF BattMan Cost Model, adjusting LFP cathode prices. Summary: Want to know the latest prices for energy storage batteries in the EU?

This guide breaks down costs across residential, commercial, and utility-scale projects, explores key factors affecting pricing, and shares actionable tips to save money. Plus, discover how evolving EU regulations and.

## How much does the eu energy storage power supply cost

---



### Household Energy Storage Power Supply Prices in Europe and ...

Summary: This article explores the pricing dynamics of household energy storage systems in Europe and America, analyzes market trends, and provides actionable insights for homeowners and ...

[Get Price](#)

---

### Energy prices and costs in Europe

Detailed data and analysis of energy prices and costs in Europe, published by the Commission every 2 years.



[Get Price](#)

---



### European energy storage: a new multi-billion-dollar asset class

Given the clean energy targets that we see across Europe by 2050, we in Global Banking & Markets believe that building all that energy storage capacity will take up to \$250 billion in capital ...

[Get Price](#)

---

## Energy storage in Europe

However, despite an exponential growth in Europe's battery energy storage capacity, which reached 36 gigawatt-hours in 2023, pumped hydro still accounted for 90 percent of the ...

[Get Price](#)



## Economic outlook for Europe's battery storage improving under new

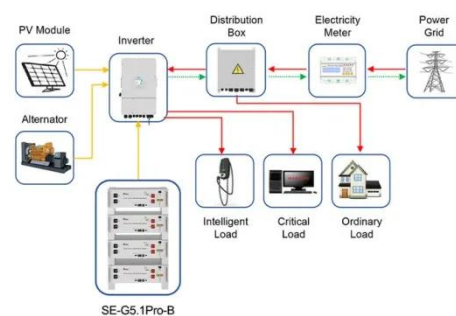
The economics of battery storage systems (BESS) in Europe look much rosier following changes to the European Union's (EU) power pricing structure in October, with several countries ...

[Get Price](#)

## How Much Does EU Energy Storage Battery Cost? A 2024 Pricing Guide

This guide breaks down costs across residential, commercial, and utility-scale projects, explores key factors affecting pricing, and shares actionable tips to save money. Plus, discover how evolving EU ...

[Get Price](#)



Application scenarios of energy storage battery products

## Europe grid-scale energy storage pricing 2024



This report analyses the cost of lithium-ion battery energy storage systems (BESS) within Europe's grid-scale energy storage segment, providing a 10-year price forecast by both system and ...

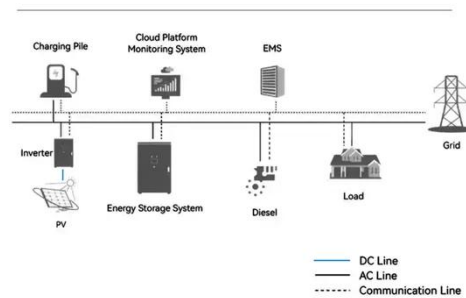
[Get Price](#)

## Energy prices and costs in Europe

The economics of battery storage systems (BESS) in Europe look much rosier following changes to the European Union's (EU) power ...

[Get Price](#)

### System Topology



## Real Cost Behind Grid-Scale Battery Storage: 2024 European Market

The dramatic scaling of battery manufacturing capacity across Europe and globally has been a primary driver in reducing utility-scale storage costs. Since 2010, battery pack prices have ...

[Get Price](#)

## Energy Storage in Europe

Estimated cell manufacturing cost uses the BNEF BattMan Cost Model, adjusting LFP cathode prices with ICC cathode spot

prices. The cost here refers to manufacturing cost which is different from price ...

[Get Price](#)



## EU Battery Storage Market Review 2025

A resilient and cost-efficient energy system requires both centralised and decentralised flexibility, making the reactivation of residential and commercial storage a priority. This edition of the ...

[Get Price](#)

## Contact Us

For catalog requests, pricing, or partnerships, please visit:  
<https://pienaarshof.co.za>

