

**PIENAAR ENERGY (PTY) LTD**

# **How much does Conakry energy storage power cost**



## Overview

---

Standardized plug-and-play designs have reduced installation costs from \$80/kWh to \$45/kWh since 2023. Smart integration features now allow multiple containers to operate as coordinated virtual power plants, increasing revenue potential by 25% through peak shaving and grid services. Recent data shows a 37% year-on-year increase in solar installations across Guinea's capital region: While browsing for "Conakry sunshine energy storage power supply price", consider these four cost drivers: "The sweet spot for Conakry households?"

A 10kWh system with hybrid inverter – balances. West Africa's energy demand is growing at 6% annually, yet nearly 60% of Guinea's population still lacks reliable electricity access [1]. Let's unpack the challenges and. This study shows that battery electricity storage systems offer enormous deployment and cost-reduction potential. By 2030, total installed costs could fall between 50% and 60% (and battery cell costs by even more), driven by optimisation of manufacturing facilities, combined with better. Malabo's tropical humidity making your phone battery drain faster than a kid gulping sugarcane juice, while Conakry's bustling markets rely on diesel generators that sound like grumpy dinosaurs. With 62% of urban households still experiencing daily power outages, this framework creates urgent opportunities for solar solution providers.

## How much does Conakry energy storage power cost



### Conakry Photovoltaic Energy Storage Policy: Key Insights for

Guinea's capital has launched an ambitious photovoltaic energy storage policy to address its growing energy demands while reducing reliance on fossil fuels. With 62% of urban households still ...

[Get Price](#)

## CONAKRY POWER AND ENERGY STORAGE LITHIUM BATTERY

On Febru, a Ukrainian manufacturing facility successfully commissioned a 250kW/600kWh industrial energy storage system to optimize power consumption and reduce operational costs. [pdf]



[Get Price](#)

114KWh ESS



### Conakry Power Station Energy Storage Powering Guinea s Future ...

Summary: Discover how Conakry Power Station's advanced energy storage systems are transforming Guinea's electricity grid. Learn about cutting-edge battery technologies, real-world applications, and ...



[Get Price](#)

## Conakry Sunshine Energy Storage Power Supply Price: A Complete ...

Summary: Explore the latest trends, pricing factors, and market insights for solar energy storage systems in Conakry. Learn how sunshine energy storage solutions like those from EK SOLAR can ...

[Get Price](#)

## Conakry Energy Storage Container: Powering Reliable Energy Solutions

From stabilizing grids to enabling renewable adoption, energy storage containers are becoming Conakry's silent power heroes. As technology advances and costs decline, their role will only expand ...

[Get Price](#)

## Conakry Battery Energy Storage System Quote

Explore cutting-edge energy storage solutions in grid-connected systems. Learn how advanced battery technologies and energy management systems are transforming renewable energy infrastructure. ...

[Get Price](#)

## Conakry National Energy Storage Industry: Powering West Africa's



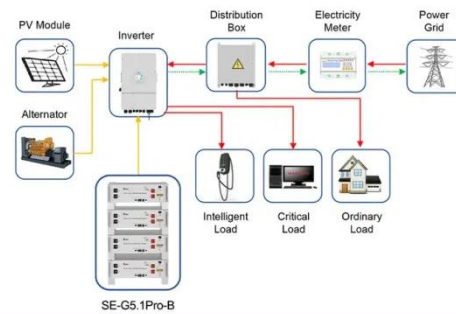
West Africa's energy demand is growing at 6% annually, yet nearly 60% of Guinea's population still lacks reliable electricity access [1]. Conakry, the capital, has become ground zero for solving this crisis ...

[Get Price](#)

## OPTIMUM ENERGY CONAKRY

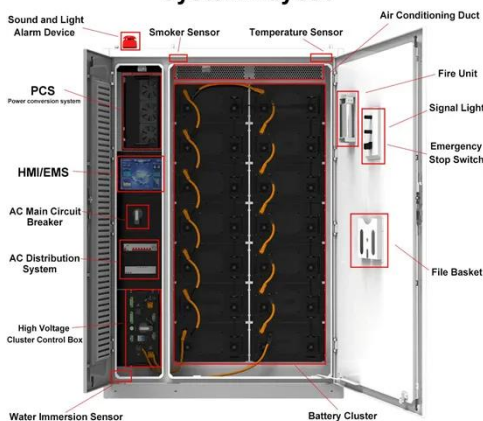
Battery storage costs have evolved rapidly over the past several years, necessitating an update to storage cost projections used in long-term planning models and other activities.

[Get Price](#)



Application scenarios of energy storage battery products

### System Layout



## Energy Storage Materials in Malabo and Conakry: Powering Africa's ...

Guinea's bauxite reserves (hello, aluminum!) could birth a homegrown battery industry faster than you can say "energy independence". Researchers are already testing laterite clay from Malabo's red soil ...

[Get Price](#)

## Conakry Photovoltaic Generation and Energy Storage: Powering a

By combining solar abundance with smart storage, businesses gain predictable costs, communities enjoy stable power, and Guinea moves closer to its 2030 renewable targets.

[Get Price](#)



---

## Contact Us

---

For catalog requests, pricing, or partnerships, please visit:  
<https://pienaarshof.co.za>

