

PIENAAR ENERGY (PTY) LTD

Factory price battery storage in Lisbon



Overview

Residential energy storage (approximately 10kWh capacity): 7,000–12,000 euros (including batteries and inverters). Looking for reliable outdoor energy storage solutions in Lisbon?

This guide breaks down pricing factors, application scenarios, and industry data to help businesses make informed decisions. Discover how Lisbon's renewable energy transition impacts outdoor power supply costs. With 63% of Portugal's. In this article, we will explain more about the top 10 battery manufacturers in Portugal, both through direct production and international collaborations related to the battery industry in Portugal. Commercial and industrial storage (50kWh – 100kWh capacity): 30,000 –. When renewables supplied roughly 80% of Portugal's electricity in July 2025, prices in the wholesale market briefly slid below zero—great for generators selling excess electrons, confusing for consumers who still paid standard tariffs. For context, Germany's 2025 BESS costs average €380/kWh due to.

Factory price battery storage in Lisbon



Portugal Battery Storage Boom Lures Foreign Investment

Portugal's battery storage boom steadies prices, slashes blackouts and opens tech roles. Discover how new policies could reshape your power bill.

[Get Price](#)

Battery Storage in Lisbon , 130EUR , Portugal

Comprehensive battery energy storage system (BESS) planning for solar installations. We analyze your consumption patterns, solar production, and grid tariffs to design an optimal battery system that ...



[Get Price](#)



Top 20 Battery Storage Companies in Portugal (2026) , ensun

Discover all relevant Battery Storage Companies in Portugal, including Petrotec Group and MeterBoost

[Get Price](#)

Lisbon Outdoor Energy Storage

Power Supply Price List: 2024 Market

Looking for reliable outdoor energy storage solutions in Lisbon? This guide breaks down pricing factors, application scenarios, and industry data to help businesses make informed decisions.

[Get Price](#)



Lisbon Lithium Energy Storage Power Supply Costs Trends and ...

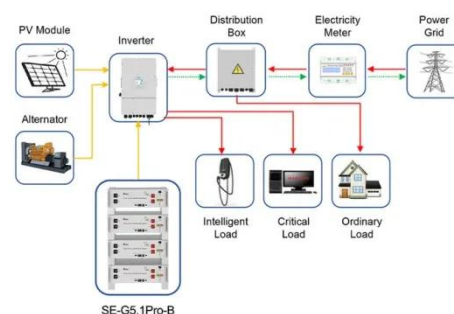
This article explores lithium energy storage costs in Lisbon, market trends, and how businesses can leverage this technology to reduce energy expenses while supporting sustainability goals.

[Get Price](#)

Top 10 Battery Manufacturers In Portugal

In this article, we will explain more about the top 10 battery manufacturers in Portugal, both through direct production and international collaborations related to the battery industry in Portugal.

[Get Price](#)



Application scenarios of energy storage battery products

Battery Energy Storage System Quotation in Portugal 2026: Price ...



Portugal aims for 80% renewable electricity by 2030, but solar/wind's intermittency demands storage. The average BESS price per kWh dropped to EUR420 in 2024, yet tariffs and supply chain delays could ...

[Get Price](#)

Portugal Energy Storage Solutions , 20kWh Lithium Battery & DEYE

Residential energy storage (approximately 10kWh capacity): 7,000-12,000 euros (including batteries and inverters). Commercial and industrial storage (50kWh - 100kWh capacity): ...

[Get Price](#)



- IP65/IP55 OUTDOOR CABINET
- ALUMINUM
- OUTDOOR ENERGY STORAGE CABINET
- OUTDOOR MODULE CABINET

10kWh Home Battery System Portugal 2025: Cost, Installation, ...

Complete guide to 10kWh home battery systems in Portugal for 2025. Learn about costs, subsidies, installation, and ROI for solar-plus-storage solutions.

[Get Price](#)

Top 10 Energy Storage Companies in Portugal , PF Nexus

This article ranks the top 10 energy storage companies in Portugal, with a particular emphasis on the most active developers and solution providers who are advancing the country's ...

[Get Price](#)



Contact Us

For catalog requests, pricing, or partnerships, please visit:
<https://pienaarshof.co.za>

