

PIENAAR ENERGY (PTY) LTD

Energy storage cabin level solution



Energy storage cabin level solution



What are the smart energy storage cabins? , NenPower

Smart energy storage cabins are advanced systems designed to optimize energy management and storage solutions, offering numerous benefits including 1. enhanced efficiency, 2. ...

[Get Price](#)

CBES 0.5C Liquid-Cooled Energy Storage Battery Cabin

Durable and reliable for frequent, long-term use, reducing replacement costs. The 0.5C Liquid-Cooled Energy Storage Battery Cabin features an integrated, modular, and standardized design with ultra ...



[Get Price](#)



Energy Storage Cabin Quotation: Your Ultimate Guide to Costs

The global energy storage market hit \$33 billion last year, with cabin-style solutions accounting for 40% of new solar and wind projects [1]. But here's the million-dollar question: What's ...

[Get Price](#)

Compact Balcony Energy Storage System Made Cabin Sustainable

The Balcony Energy Storage System came equipped with a smart management app, allowing him to track energy generation, storage levels, and consumption from his smartphone or computer.

[Get Price](#)

Applications



New Energy Storage Photovoltaic Cabin Strengthens Renewable ...

The new energy storage photovoltaic cabin simplifies deployment through modular layouts, reducing installation time and improving maintenance access. By offering integrated storage, it also improves ...

[Get Price](#)

Energy Storage Integrated Cabin Solutions for Efficient Power ...

Discover our Energy Storage Integrated Cabins, designed to optimize energy efficiency and sustainability. These innovative cabins seamlessly combine energy storage solutions with intelligent ...

[Get Price](#)



Energy Storage Primary Cabin:

The Backbone of Modern Renewable ...

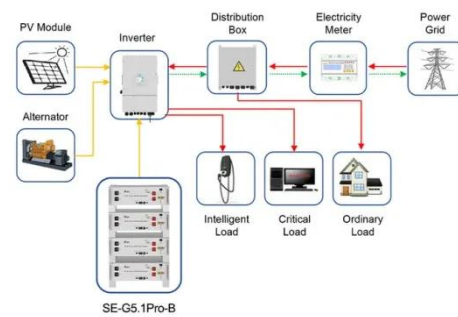


Unlike traditional battery racks, these all-in-one cabin solutions integrate thermal management, fire suppression, and AI-driven monitoring into a single modular unit.

[Get Price](#)

Case Study: Cabin ESS DIY Build vs Installer Package ROI

Unlock cabin energy independence! Compare DIY vs. professional ESS ROI with our case study. Discover true costs, payback, and lifetime savings for your off-grid power.



Application scenarios of energy storage battery products

[Get Price](#)



Mobile Energy Storage Cabin: Advanced Portable Power Solutions for

Discover our innovative mobile energy storage cabin featuring advanced battery technology, flexible deployment options, and comprehensive safety features for reliable portable power solutions.

[Get Price](#)

Case Study: Winter-Proofing a Cabin with LiFePO4 ESS

This detailed case study examines how one Montana cabin owner successfully implemented a LiFePO4 energy storage system (ESS) to achieve reliable year-round power, ...

[Get Price](#)



Contact Us

For catalog requests, pricing, or partnerships, please visit:
<https://pienaarshof.co.za>

