

**PIENAAR ENERGY (PTY) LTD**

# **East Africa Energy Storage Power Station**



## East Africa Energy Storage Power Station

---

Our Lifepo4 batteries can be connected in parallels and in series for larger capacity and voltage.



### Shared Energy Storage Power Stations in Africa: Key Projects and ...

Summary: Africa is rapidly adopting shared energy storage solutions to stabilize grids and integrate renewables. This article explores existing projects, applications, and how these systems are ...

[Get Price](#)

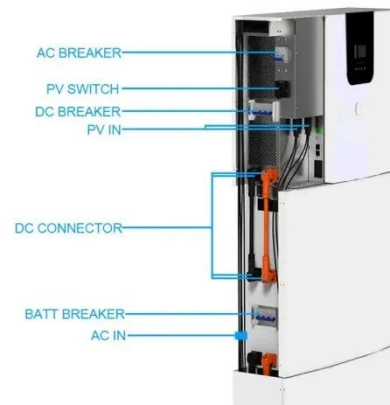
---

### Djibouti Photovoltaic Energy Storage Power Station: A Blueprint for

Summary: The Djibouti Photovoltaic Energy Storage Power Station represents a transformative step in East Africa's renewable energy landscape. This article explores its technical innovations, economic ...

[Get Price](#)

---

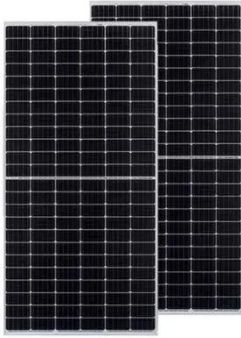


### East Africa Energy Storage: Market Growth & Key Trends 2025

This report provides a comprehensive overview of the current status of the energy storage market in East Africa, highlighting key market drivers, technological advancements, regional

project ...

[Get Price](#)



---

## East African Energy Storage Projects: Locations, Trends, and Key

East Africa is rapidly emerging as a hotspot for energy storage projects, driven by growing electricity demand and the need to stabilize renewable energy grids.

[Get Price](#)



---

## ENERGY Energy Storage is the key to energy access in East Africa

Background Countries such as Libya, Egypt, Sudan, and the Democratic Republic of Congo (DRC), Ethiopia, Kenya, Rwanda, Tanzania, and Uganda are in Eastern Africa Power Pool ...

[Get Price](#)

---

## Renewable Energy Developer , East African Power , Kigali

I founded EAP in 2012 after experiencing first hand the catalytic impact of power. A decade later, we have deployed \$60 million in CAPEX across 18 renewable energy projects. Our work has improved ...

[Get Price](#)



- IP65/IP55 OUTDOOR CABINET
- WATERPROOF OUTDOOR CABINET
- 42U/27U
- OUTDOOR BATTERY CABINET

## Uganda greenlights EA Astrovolt 100MW/250MWh PV-BESS plant PV ...

Located in Kapeeka, in the central Ugandan district of Nakaseke, the project will be developed by Energy America's regional development subsidiary, EA Astrovolt. It will be equipped ...

[Get Price](#)

## TOP 3 EAST AFRICA ENERGY STORAGE SOLUTIONS FOR ...

Underground energy storage power station An underground power station is a type of constructed by excavating the major components (e.g. machine hall, penstocks, and tailrace) from rock, rather than ...

[Get Price](#)



## Top 5 Largest Energy Storage Projects in Africa



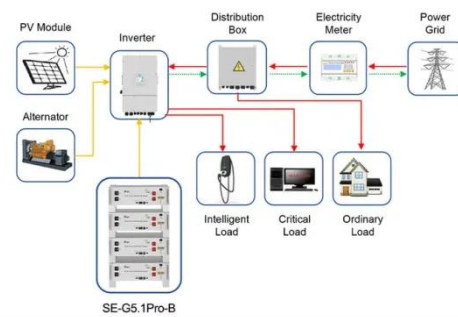
The Noor I CSP plant features a full-load molten salt storage capacity of three hours, while the Noor II and III CSP plants are able to store energy for up to seven hours each, thus providing a ...

[Get Price](#)

## Energy & Storage Industry Insights Volume 2026

At lower costs, storage is overcoming that barrier--unlocking the potential for solar to evolve from a daytime resource into a dispatchable, baseload-like power solution. The Energy & ...

[Get Price](#)



Application scenarios of energy storage battery products

## Contact Us

For catalog requests, pricing, or partnerships, please visit:  
<https://pienaarshof.co.za>

