

**PIENAAR ENERGY (PTY) LTD**

# **Distributed energy storage Vietnamese communication power cabinet 1200mm deep**



## Distributed energy storage Vietnamese communication power cabinet

---



### Outdoor Cabinet with Power-Battery Zones for Telecom & Energy

Durable outdoor cabinet with separated power, battery zones for telecom & energy systems. Provides protection and reliable performance in harsh environments.

[Get Price](#)

### Distributed energy storage power cabinet

The application relates to the technical field of power supply equipment, in particular to a distributed energy storage power cabinet.

[Get Price](#)



### Benefits of Distributed Energy Storage in Vietnam: Powering a

Vietnam's energy landscape is undergoing a seismic shift. With surging electricity demand and ambitious renewable energy targets, distributed energy storage systems (DESS) are emerging as a ...

[Get Price](#)



## Distributed energy storage cabinet

Application areas: It can be applied to load peak shaving, peak-valley arbitrage, backup power supply, peak load regulation, frequency regulation and microgrids. The system has two operating modes: ...



[Get Price](#)

---



## Base Station Energy Cabinet

The Base Station Energy Cabinet is a fully enclosed, weather-resistant telecom energy cabinet designed to provide reliable power distribution and battery backup for outdoor communication networks.

[Get Price](#)

---

## Energy Storage Enclosures/Cabinets , Modular Design to Meet ...

Our battery storage cabinets are constructed with a modular design, providing optimal flexibility for businesses across various sectors. Our power storage cabinets also adhere to safety and quality ...

[Get Price](#)

---



## Distributed energy storage cabinet for industrial and



## commercial ...

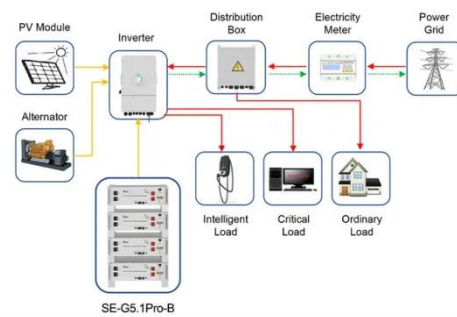
It has the ability to provide comprehensive solutions in the field of intelligent power system and new energy, and has formed an efficient, reliable and complete product series.

[Get Price](#)

## Vietnam Power Energy Storage Cabinet, 1200mm deep

Tall corner cabinet with LED light, farmhouse bathroom cabinet with doors and tier shelves, free standing corner storage cabinet for laundry room, living room or kitchen

[Get Price](#)



Application scenarios of energy storage battery products



## Communication cabinet , Reliable Power Management , Chenuo ...

Explore the Low Voltage Distribution Cabinet by Chenuo Electric, designed for efficient power management in communication systems, including data centers and base stations.

[Get Price](#)

## Remote-Controlled Outdoor Communication Cabinet

The core advantage of the HJ-SG-D01

series outdoor communication cabinet lies in its integration of an efficient smart power energy management system. This system enables real-time ...

[Get Price](#)



## Contact Us

For catalog requests, pricing, or partnerships, please visit:  
<https://pienaarshof.co.za>

