

**PIENAAR ENERGY (PTY) LTD**

# **Digging photovoltaic panels**



## Overview

---

In this video, we'll walk you through the process of digging a trench for your solar array, ensuring a stable and efficient setup for your renewable energy system. Join us as we cover essential tips, tools, and techniques to make this task a breeze. This page covers the layout and digging of the trench for the underground wiring from the meter/distribution panel location on the house to PV panel array out in the yard. Whether you're a seasoned DIY enthusiast or a novice eager to learn, this guide on "how to use a shovel,". PV wire doesn't seem like a big deal, but moving generated power from solar panels to the electrical grid would be impossible without it. We recommend engaging the services of a groundworks company to carry out your trenching needs.

## Digging photovoltaic panels

---



### Ground Preparation and Foundation for Solar Panel Arrays

In this article, we will delve into the crucial aspects of ground preparation and foundation for solar panel arrays, ensuring the longevity and efficiency of your solar power system.

[Get Price](#)

---

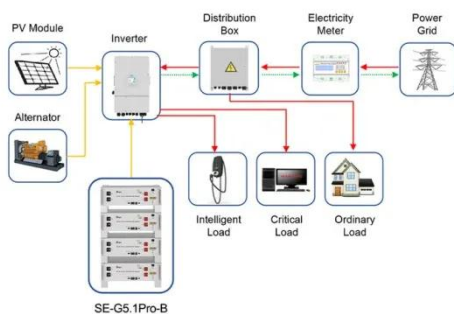
### Transforming Sunshine into Power: A DIY Guide to Digging, Wiring, ...

In this video, we'll walk you through the process of digging a trench for your solar array, ensuring a stable and efficient setup for your renewable energy system.



[Get Price](#)

---



Application scenarios of energy storage battery products

### Digging the Perfect Trench for Your Solar Array: An Almost

In this video, we'll walk you through the process of digging a trench for your solar array, ensuring a stable and efficient setup for your renewable energy system.

[Get Price](#)

---

## What is Trenching in Solar Installation? , Cenvar Solar Guide

What is Trenching in Solar Installation?  
Trenching is the process of digging a narrow channel in the ground to house the electrical conduits that connect your solar panels to your home's ...

[Get Price](#)



## How Deep Are the Holes in Photovoltaic Panel Columns? The ...

That's exactly what happens when photovoltaic panel columns aren't buried deep enough. The industry standard for solar panel post depth typically ranges from 4-8 feet, but here's the kicker: 42% of solar ...

[Get Price](#)

## Installing PV Wire: Direct Burial, Hangers, or Conduit?

They connect directly to the racking underneath the solar panels and provide a cost-effective way to string PV wire quickly across difficult terrain. This makes them useful in areas where ...

[Get Price](#)



## DIY PV System -

This page covers the layout and digging of the trench for the underground wiring

from the meter/distribution panel location on the house to PV panel array out in the yard.

[Get Price](#)



---

## How to drill holes for solar panels on the mountain , NenPower

The depth of the holes required for solar panel installation varies with different factors, such as the mounting system and local regulations. Generally, holes should be at least 2-3 feet deep ...

[Get Price](#)



---

## Trenching Requirements

To future-proof against any additional work at another time, and avoid having to trench again, Naked Solar recommend customers lay ducting in the trenches that are being dug. Ducts/conduits can be ...

[Get Price](#)

---

## What is the simple answer for off grid grounding

Exposed non-current-carrying metal parts of PV module frames, electrical



equipment, and conductor enclosures of PV systems shall be connected to an equipment grounding conductor in ...

[Get Price](#)



## Contact Us

---

For catalog requests, pricing, or partnerships, please visit:  
<https://pienaarshof.co.za>

