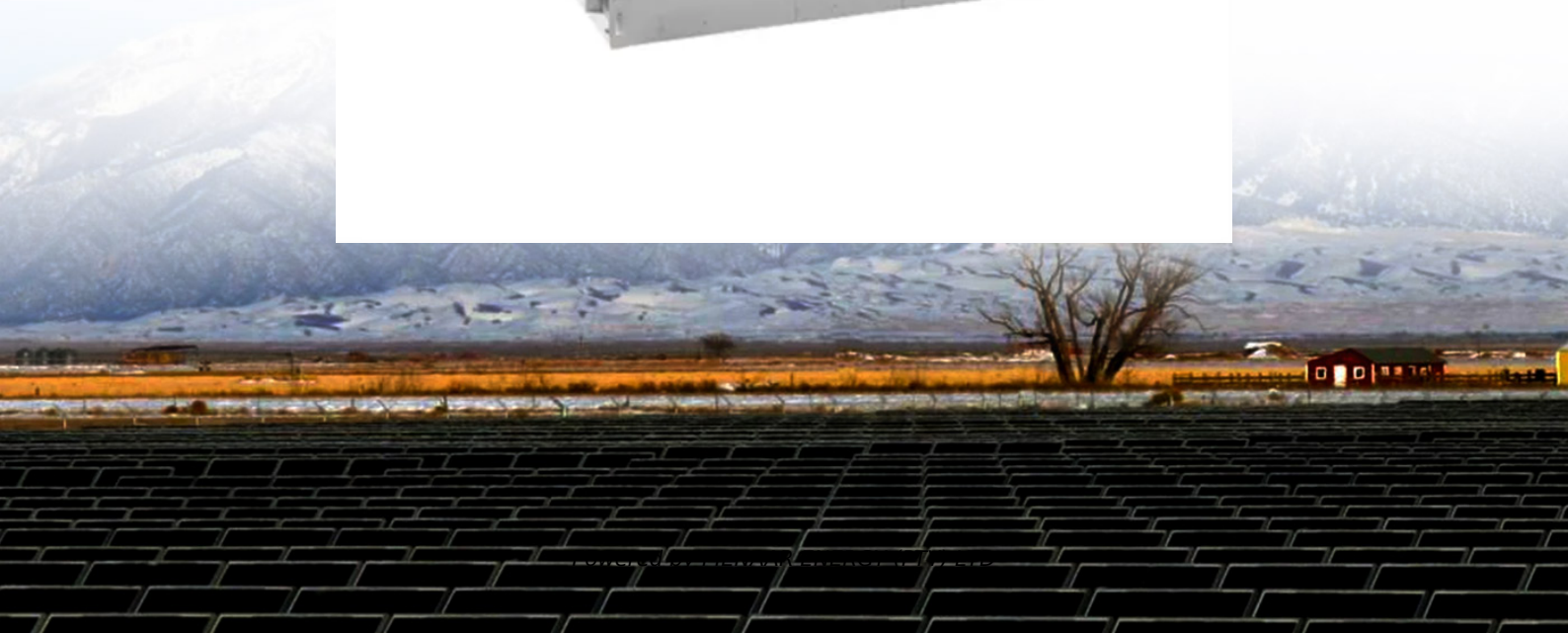


PIENAAR ENERGY (PTY) LTD

Comparison between grid-connected solar power cabinets and battery energy storage systems



Overview

In this article, we'll explore eight key differences between grid-tied solar systems and home energy systems with battery storage, highlighting how solar plus battery storage offer distinct advantages. Energy Storage and Usage. Adding a solar battery backup system to your home allows you to store excess energy generated during the day for use at night or during power outages. Here's everything that you should keep in mind when you're comparing hybrid solar panels to typical grid connection or off-grid. As solar adoption accelerates, more and more homeowners are considering a battery storage addition to their existing grid-tied solar configurations, building a complete home energy system that unlocks greater energy control and resiliency. This blog will help you. The following battery comparison chart lists the latest lithium home AC battery systems in 2023 available in Australia, North America, the UK, Europe and Asia from the world's leading battery manufacturers, including Tesla, Sonnen, Sunpower, Franklin, Enphase and many more.

Comparison between grid-connected solar power cabinets and battery



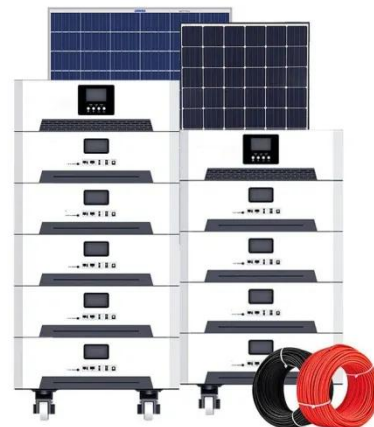
Comparison of Energy Storage Management ...

This paper presents an EMS for a residential photovoltaic (PV) and battery system that addresses two different functionalities: energy cost ...

[Get Price](#)

Hybrid solar systems: Is grid + storage worth it?

Here's everything that you should keep in mind when you're comparing hybrid solar panels to typical grid connection or off-grid options. Most homeowners save around \$60,000 over 25 ...



[Get Price](#)



8 Differences between Solar Systems with and without Battery Storage

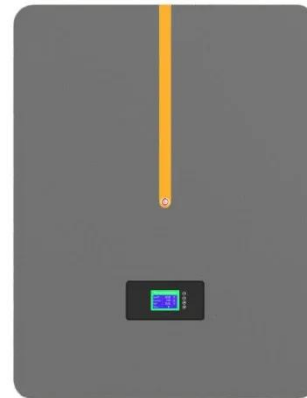
In this article, we'll explore eight key differences between grid-tied solar systems and home energy systems with battery storage, highlighting how solar plus battery storage offer distinct ...

[Get Price](#)

Comparison of Energy Storage Management Techniques for a Grid-Connected

This paper presents an EMS for a residential photovoltaic (PV) and battery system that addresses two different functionalities: energy cost minimization, and self-consumption maximization.

[Get Price](#)



Grid-Connected Energy Storage Systems: State-of-the-Art and ...

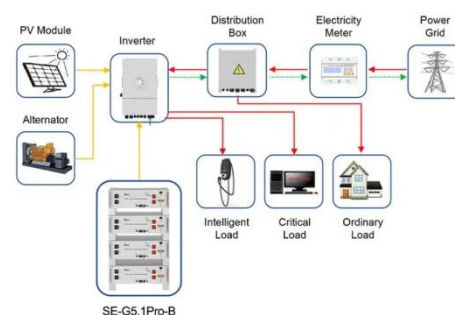
One of the promising solutions to sustain the quality and reliability of the power system is the integration of energy storage systems (ESSs). This article investigates the current and emerging trends and ...

[Get Price](#)

Solar Batteries vs Grid-Tied Systems: Which Is Right for You?

As solar energy becomes more accessible, homeowners and businesses face an important decision: Should you pair your solar panels with Solar Batteries for energy storage, or/Vs ...

[Get Price](#)



Application scenarios of energy storage battery products

A review on battery energy storage systems: Applications,



...

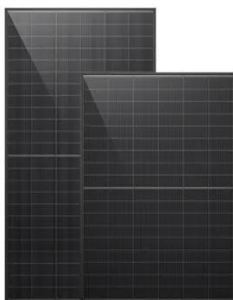
This work offers an in-depth exploration of Battery Energy Storage Systems (BESS) in the context of hybrid installations for both residential and non-residential end-user sectors, significant in ...

[Get Price](#)

Home solar battery comparison chart -- Clean Energy Reviews

See our other battery & inverter comparison charts: AC battery systems, technically known as AC-coupled battery systems, contain an integrated inverter that enables them to operate as a stand

...

[Get Price](#)

Hybrid solar systems: Is grid + storage worth it?

Here's everything that you should keep in mind when you're ...

[Get Price](#)

Solar Systems Explained

These systems can either be described as off-grid solar with utility backup power, or grid-tied solar with extra

battery storage. If you own a grid-tied solar system and drive a vehicle that runs on electricity, ...

[Get Price](#)



Battery Storage vs. Grid-Tied Solar -- WSC Solar

Compare grid-tied vs. off-grid solar systems, learn the best solar battery backup options, and find out if solar battery storage is worth the cost.

[Get Price](#)

Grid-Scale Battery Storage: Frequently Asked Questions

A battery energy storage system (BESS) is an electrochemical device that charges (or collects energy) from the grid or a power plant and then discharges that energy at a later time to provide electricity or ...

[Get Price](#)



Contact Us

For catalog requests, pricing, or partnerships, please visit:
<https://pienaarshof.co.za>

