

**PIENAAR ENERGY (PTY) LTD**

# **Battery energy storage system for plateau communication base stations**



## Battery energy storage system for plateau communication base sta

---



### Battery for communication base station energy storage system

Highjoule's Site Battery Storage Cabinet ensures uninterrupted power for base stations with high-efficiency, compact, and scalable energy storage. Ideal for telecom, off-grid, and emergency

[Get Price](#)

## Energy Storage Solutions for Communication Base Stations

Investing in robust energy storage solutions for communication base stations offers a multitude of benefits. These include minimized operational interruptions, enhanced service reliability, ...

[Get Price](#)



### Communication Base Station Backup Battery

When natural disasters cut off power grids, when extreme weather threatens power supply safety, our communication backup power system with intelligent charge/discharge management and military ...

[Get Price](#)

## Communication Base Station Energy Solutions

During the day, the solar system powers the base station while storing excess energy in the battery. At night, the energy storage system discharges to supply power to the base station, ensuring 24/7 ...

[Get Price](#)



## Optimum sizing and configuration of electrical system for

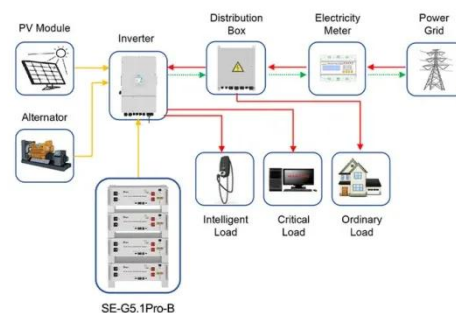
This study develops a mathematical model and investigates an optimization approach for optimal sizing and deployment of solar photovoltaic (PV), battery bank storage and a diesel ...

[Get Price](#)

## Revolutionising Connectivity with Reliable Base Station Energy Storage

Discover how base station energy storage empowers reliable telecom connectivity, reduces OPEX, and supports hybrid energy.

[Get Price](#)



Application scenarios of energy storage battery products

## Mobile Communication Base Station Energy Storage Solutions: Key ...



Summary: Discover how modern energy storage systems are revolutionizing telecom infrastructure. This guide explores cutting-edge solutions for base station power management, industry challenges, and ...

[Get Price](#)

## Telecom Battery Backup System , Sunwoda Energy

A telecom battery backup system is a comprehensive portfolio of energy storage batteries used as backup power for base stations to ensure a reliable and stable power supply.

[Get Price](#)



## Energy Storage for Communication Base

The one-stop energy storage system for communication base stations is specially designed for base station energy storage. Users can use the energy storage system to discharge during load peak ...

[Get Price](#)

## Energy Storage in Telecom Base Stations: Innovations & Trends

Explore cutting-edge Li-ion BMS, hybrid renewable systems & second-life batteries for base stations. Discover ESS trends like solid-state & AI optimization. Learn more at CESC2025.

[Get Price](#)



---

## Contact Us

---

For catalog requests, pricing, or partnerships, please visit:  
<https://pienaarshof.co.za>

