

**PIENAAR ENERGY (PTY) LTD**

# **BMS and solar solar container energy storage system**



## Overview

---

A container energy storage system is a fully integrated battery storage solution packaged within a standard 20-ft or 40-ft container. It includes the battery modules, BMS, PCS, EMS, fire protection system, thermal management, cabling, and auxiliary components within a single. Racks, LFP cells, battery modules, DC panels, fire suppression systems, module BMS (BMU), rank BMS (BCMU), system BMS (BAMS), and Battery protection unit (BPU). These include the. A Containerized Battery Energy Storage System (BESS) is rapidly gaining recognition as a key solution to improve grid stability, facilitate renewable energy integration, and provide reliable backup power.

## BMS and solar solar container energy storage system

---



### Container Energy Storage Systems: Why BMS is the Unsung Hero of ...

Leading manufacturers are now integrating machine learning into BMS platforms. Your storage container predicts local weather patterns and adjusts its charging strategy like a chess ...

[Get Price](#)

---

### Energy Storage Container BMS: The Brain Behind Modern Battery ...

Imagine a Texas solar farm where 50 storage containers self-organize their charge/discharge patterns based on real-time weather data and electricity pricing - that's the promise of next-gen BMS ...



[Get Price](#)

---

### Optimizing Solar Energy Storage: The Critical Role of Battery

This blog dives into the technical nuances of BMS solar, with a focus on 12V systems, to help you design more robust, high-performance solar energy storage solutions.

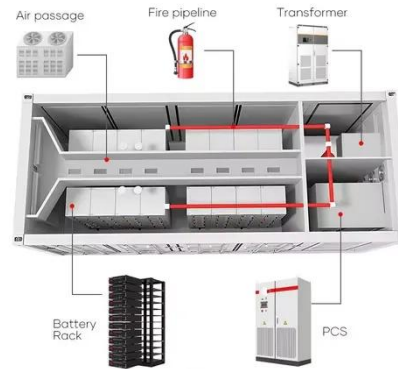


[Get Price](#)

## How a Containerized Battery Energy Storage System Can Improve ...

In this article, we'll explore how a containerized battery energy storage system works, its key benefits, and how it is changing the energy landscape--especially when integrated into large ...

[Get Price](#)



## Energy Storage System: 2x Improved Efficiency and Capacity

BESS containers balance supply and demand, ensuring grid stability and reducing power outages. It stores and releases excess energy, reducing peak loads, and costs and increasing efficiency. The ...

[Get Price](#)

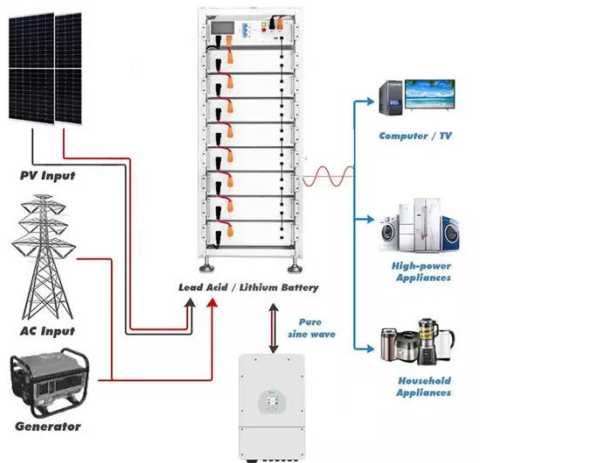
## What Is a Container Energy Storage System?

A deep dive into containerized BESS. Explore key components, grid-scale applications, safety, and how they support renewable energy. Read our expert guide.

[Get Price](#)



## Container Energy Storage



## Solutions for Ground-Mounted Solar ...

A container energy storage system is a fully integrated battery storage solution packaged within a standard 20-ft or 40-ft container. It includes the battery modules, BMS, PCS, EMS, fire protection ...

[Get Price](#)

## BMS, PCS, and EMS in Battery Energy Storage Systems (BESS): A

Explore the essential components of Battery Energy Storage Systems (BESS): BMS, PCS, and EMS. Learn their functions, integration, and importance for efficient, safe energy ...



[Get Price](#)



## Optimizing Solar Power Efficiency with Containerized Battery Energy

Learn how containerized BESS optimizes solar energy storage, boosts renewable energy use, reduces waste, and ensures stable power for businesses and homes.

[Get Price](#)

## BMS in Renewable Energy Storage

Battery-based energy storage systems

(BESS) are essential in this situation. When production is strong and demand is low, a BESS with an effective battery management system (BMS) can store energy ...

[Get Price](#)



---

## Contact Us

For catalog requests, pricing, or partnerships, please visit:  
<https://pienaarshof.co.za>

