

## PIENAAR ENERGY (PTY) LTD

# A complete collection of energy storage system design pictures

### Home Energy Storage (Stackble system)



High Efficiency



Easy installation



Safe and Reliable



Perfect  
Compatibility

#### Product Introduction

-  Scalable from 10 kWh to 50 kWh
-  Self-Consumption Optimization
-  Integrated with inverter to avoid the compatibility problem

-  LFP battery, safest and long cycle life
-  Stackable design, effortlessly installation
-  Capable of High- Powered
-  Emergency- Backup and Off- Grid Function

## A complete collection of energy storage system design pictures

---



### Energy storage systems Images

Find & Download Free Graphic Resources for Energy storage systems Vectors, Stock Photos & PSD files. Free for commercial use High Quality Images

[Get Price](#)

---

### Energy Storage Station Design Pictures: Blueprint for a Sustainable

Spoiler alert: it starts with energy storage station design pictures. These visual roadmaps are like the DNA of modern power infrastructure--essential for engineers, urban planners, and even curious eco ...

[Get Price](#)



**Deye Official Store**

**10 years warranty**

### Energy Storage Systems Design royalty-free images

Find Energy Storage Systems Design stock images in HD and millions of other royalty-free stock photos, illustrations and vectors in the Shutterstock collection. Thousands of new, high-quality pictures added ...

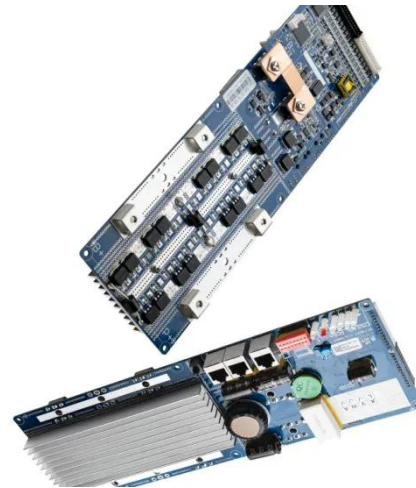
[Get Price](#)

---



## Energy Storage System Pictures, Images and Stock Photos

Browse 2,000+ energy storage system stock photos and images available, or search for battery energy storage system to find more great stock photos and pictures. 3d rendering energy storage system or ...



[Get Price](#)



## 20,000+ Free Energy Storage System & Energy Images

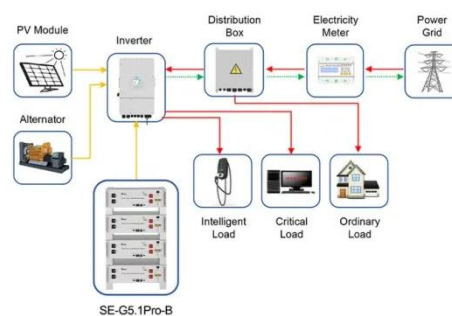
27,072 Free images of Energy Storage System Free energy storage system images to use in your next project. Browse amazing images uploaded by the Pixabay community.

[Get Price](#)

## 20,000+ Free Energy Storage Systems & Energy Images

Find images of Energy Storage Systems Royalty-free No attribution required High quality images.

[Get Price](#)



Application scenarios of energy storage battery products

## 12,987 Energy Storage System Stock Photos



Download Energy Storage System stock photos. Free or royalty-free photos and images. Use them in commercial designs under lifetime, perpetual & worldwide rights. Dreamstime is the world's largest ...

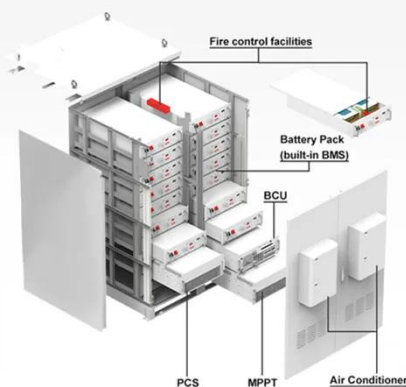
[Get Price](#)

## 50,000+ Energy Storage Pictures , Download Free Images on Unsplash

Download the perfect energy storage pictures. Find over 100+ of the best free energy storage images. Free for commercial use No attribution required Copyright-free .



[Get Price](#)



## 1,550 Energy Storage System Stock Photos, High-Res Pictures, and ...

Browse 1,550 energy storage system photos and images available, or search for battery energy storage system to find more great photos and pictures. Maintaining and monitoring smart energy ...

[Get Price](#)

## Contact Us

---

For catalog requests, pricing, or partnerships, please visit:  
<https://pienaarshof.co.za>

