

PIENAAR ENERGY (PTY) LTD

50kW Outdoor Photovoltaic Cabinet for Comoros Power Grid Distribution Station



50kW Outdoor Photovoltaic Cabinet for Comoros Power Grid Distrib



Outdoor ODM BESS Energy Storage System , 50 ...

Our all-in-one outdoor cabinet (50-100kWh) features an IP55 design, LFP cells, and easy expansion for C& I applications.

[Get Price](#)

50kw/100kwh Outdoor Cabinet Energy strage system

50kW and 125kW energy storage power modules, support on or off grid mode, air-cooled battery or liquid-cooled battery optional, has transformer, has STS module to achieve 10ms seamless switching.



[Get Price](#)



50kw 100kwh outdoor cabinet

One of the most revolutionary change its making in the industry is this 50kw outdoor cabinet (100kwh). However, these outdoor cabinets are changing the way we distribute power and employ renewable ...

[Get Price](#)

Energy Storage Cabinet

Outdoor 20KW 50KWh/ 30KW 60KWh

Cooperate with solar panels to form an energy-saving and green photovoltaic storage system, making it easier to build an independent energy storage system for residential and commercial use.

[Get Price](#)



50kW/100kWh Outdoor Cabinet Energy Storage System

It adopts door-mounted embedded integrated air conditioning, which does not occupy cabinet space, improves the available space of outdoor cabinets, has better structural integrity at the top, and has ...

[Get Price](#)

SUNWAY 50-100kW Outdoor Cabinet Energy Storage System With ...

The outdoor cabinet is weatherproof, easy to install, and built for long-term performance. With remote monitoring, after-sales service, and extended warranty, SUNWAY ensures stable power supply and ...

[Get Price](#)



50kW/100kWh outdoor All-in-one all-in-one cabinet energy

GRADE A BATTERY

LiFePO4 battery will not burn when overcharged/over discharged, overcurrent or short circuited and can withstand high temperatures without decomposition.



50kW/100kWh outdoor cabinet ESS solution (KAC50DP-BC100DE) is designed for small to medium size of C&I energy storage and microgrid applications. Individual pricing for large scale projects and ...

[Get Price](#)

50kW/100kWh outdoor All-in-one all-in-one cabinet ...

50kW/100kWh outdoor cabinet ESS solution (KAC50DP-BC100DE) is ...

[Get Price](#)



Commercial Solar Systems

LZY Energy delivers customized, grid-tied solar power systems specifically designed for commercial buildings. We go beyond just solar panels, offering integrated energy storage solutions for reliable ...

[Get Price](#)

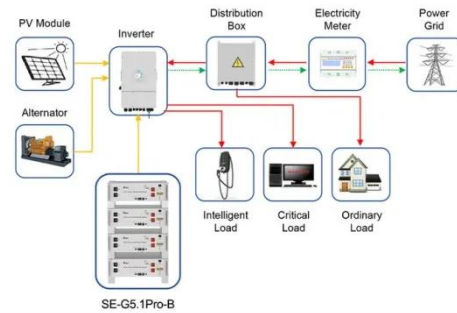
Outdoor Photovoltaic Energy Cabinet, Base Station Energy ...

...

Highjoule's Outdoor Photovoltaic Energy Cabinet and Base Station Energy Storage

systems deliver reliable, weather-resistant solar power for telecom, remote sites, and microgrids.

[Get Price](#)



Application scenarios of energy storage battery products



Custom Energy Storage Solutions for Comoros: Tailored Cabinet

Summary: Discover how customized energy storage cabinet containers address Comoros' growing power demands. Learn about industry-specific designs, cost-effective solutions, and real-world ...

[Get Price](#)

Contact Us

For catalog requests, pricing, or partnerships, please visit:
<https://pienaarshof.co.za>

