

PIENAAR ENERGY (PTY) LTD

1MWh Lithium Battery Energy Storage Cabinet for Subways 2025 Model



1MWh Lithium Battery Energy Storage Cabinet for Subways 2025 M



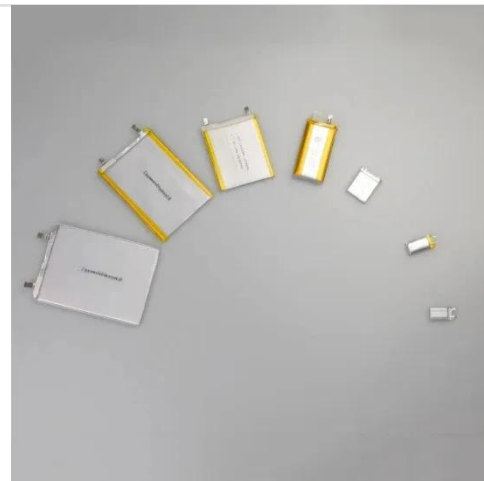
ESS Solar Energy Storage Battery Cabinet 215kwh 430kwh 1MWh All ...

It is an one-stop integration system and consist of battery module, PCS, PV controler (MPPT) (optional), control system, fire control system, temperature control system and monitoring system.

[Get Price](#)

1 MW/ 1 MWh energy storage system

The battery unit uses sea-based 120 Ah batteries, the battery module adopts the 2P16 S combination method, and the battery cluster adopts a 700-1500 V voltage system design scheme. The container ...



[Get Price](#)



20ft Containe 1MWH Battery Energy Storage System

PKENERGY 1MWh Battery Energy Solar System is a highly integrated, large-scale all-in-one container energy storage system. Housed within a 20ft container, it includes key components ...

[Get Price](#)

1MW Battery Energy Storage System

The MEGATRON 1MW Battery Energy Storage System (AC Coupled) is an essential component and a critical supporting technology for smart grid and renewable energy (wind and solar).



[Get Price](#)



2025 Hybrid Energy Storage System Rack Battery Cabinet 100kwh ...

This product has acquired the relevant product qualification (s)/license (s) of certain applicable country/countries. View more.

[Get Price](#)

1MWh Energy Storage Container System

The system adopts lithium iron phosphate battery technology, with grid-connected energy storage converter, intelligent control through energy management system (EMS).



[Get Price](#)

XING Mobility Unveils High-Power 1MWh Immersion-Cooled Energy ...

With a total energy capacity of 1



megawatt-hour, this compact energy cabinet supports high-power discharge, rapid system response, and strong current output, making it ideal for a wide ...

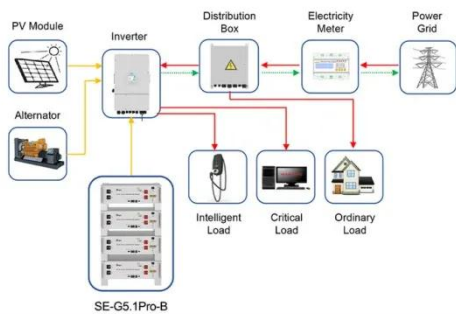
[Get Price](#)

500kW 1MWh Microgrid Industrial Battery Energy Storage System

Easily upgradable from 500kW to 1MW of energy storage, storing up to 3.8MWh of energy, enough to power an average 3,600 homes for one hour.



[Get Price](#)



Application scenarios of energy storage battery products

XING Mobility Unveils High-Power 1MWh Immersion-Cooled Energy ...

At EES Europe 2025, XING Mobility will showcase its full portfolio of immersion-cooled battery systems--from modular 200kWh units to megawatt-scale configurations.

[Get Price](#)

1MWh Off-Grid Solar Container Used in Subway Stations

PKNERGY 1MWh Battery Energy Solar

System is a highly integrated, large-scale all-in-one container energy storage system. Housed within a 20ft container, it includes key components such as energy ...

[Get Price](#)



Contact Us

For catalog requests, pricing, or partnerships, please visit:
<https://pienaarshof.co.za>

